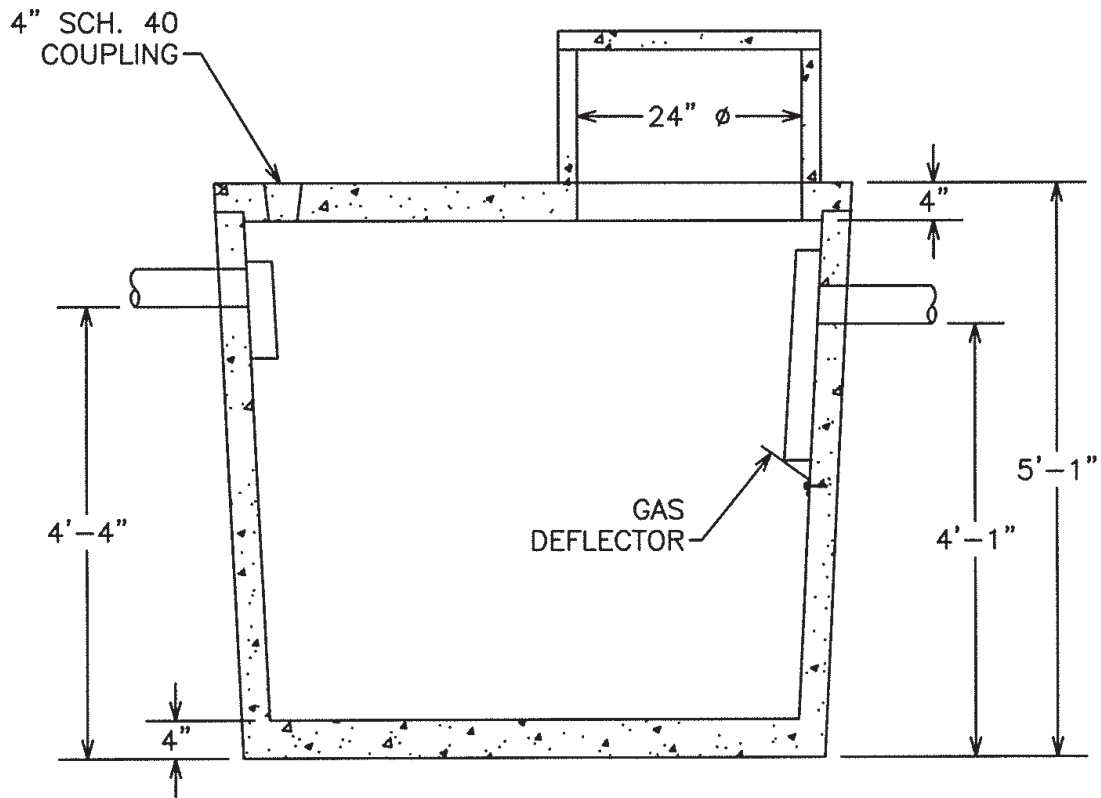


—PLAN—



—SECTION—

Non-Traffic Rated, 4 Feet Maximum Cover. Risers, Riser Lids, Pipes & Fittings Sold Separately

**PRECAST  
TRANSPORTATION  
SOLUTIONS**

322 Bynum Road  
Forest Hill, Maryland 21050  
Phone: 410-838-3007

**LOW PROFILE  
PRECAST 750 GALLON SEPTIC TANK  
SINGLE COMPARTMENT**

[www.precasttransportationsolutions.com](http://www.precasttransportationsolutions.com)